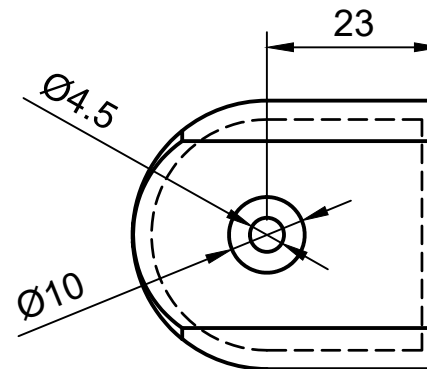
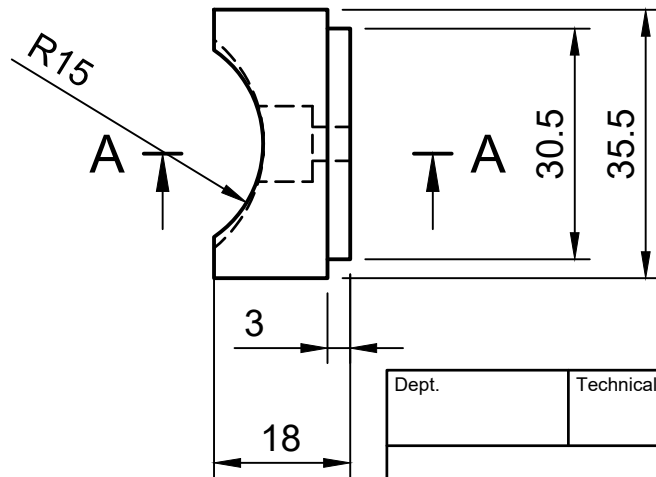
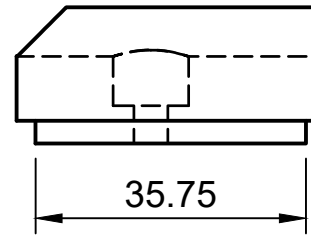
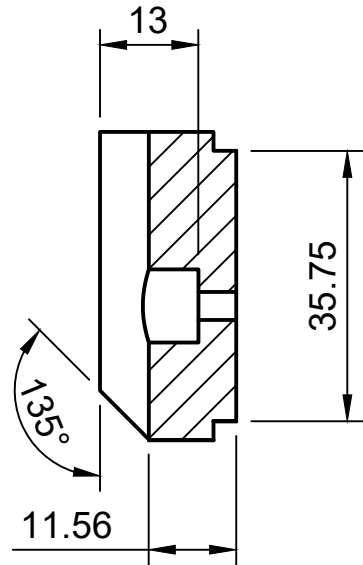


A-A (1:1)



Dept.	Technical reference	Created by Claude Larderet 01/11/2019	Approved by	
		Document type	Document status	
		Title Patin porte velo v6	DWG No.	
Rev.	Date of issue	Sheet 1/1		